



# BioSeptic *Simply the Best!*



NSW HD  
GL Pt 3  
Lic 2221  
AWTS

## PRODUCT GUIDE: JUMBO 3500 AWTS

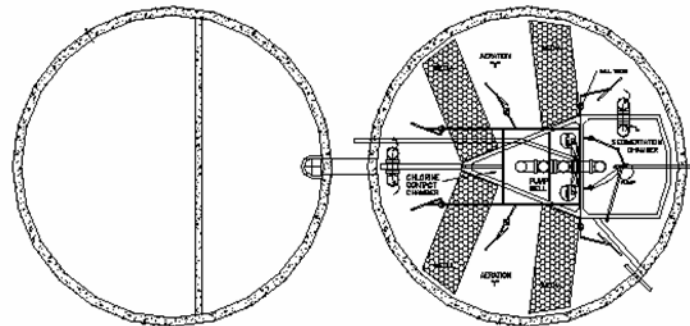
### DESCRIPTION

- Turn your wastewater into clear, odourless, safe water for irrigation of your gardens and lawns.
- Reliable, high quality, Australian built, all concrete treatment system.
- Used for larger developments with non-uniform wastewater generation rates.
- Backed up by the best customer service and after sales support.
- Designed to deal with high water loads over short periods of time.
- Used for larger homes and dual occupancies.

### FEATURES

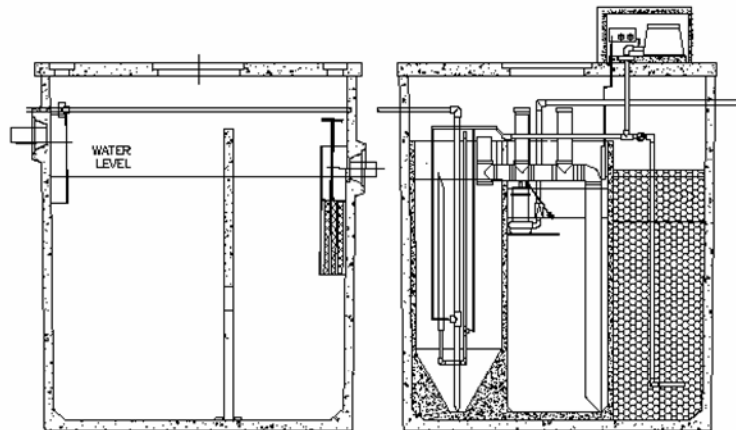
- 30 Year Warranty — Tanks and Insert
- 2 Year Warranty — Pumps and Blowers and all Original Electrical Components
- 5 Year Warranty—Internal pipe work
- Integrated Alarm System
- Chlorine Disinfection
- Two-tank Design
- 1st Year Servicing Free
- Includes Basic Irrigation System
- Choice of Pumps
- Suits New and Existing Buildings
- Environmentally Friendly
- Accredited by the NSW Health Dept.
- Testing revealed;
  - ⇒ 97% Reduction in Organic Waste
  - ⇒ 98% Reduction in Suspended Solids
  - ⇒ 99.99% Reduction of Faecal Coliforms

### SPECIFICATIONS



SEPTIC TANK

TREATMENT TANK



### WHY WASTE WATER ?



#### CONTACT

BioSeptic Pty Ltd  
ABN 95 056 461 226

Anzac Avenue,  
Smeaton Grange, NSW, 2567

PO Box 3250,  
Narellan, NSW, 2567

Ph: 1300 658 111

Fax: (02) 4629 6655

Email: [sales@bioseptic.com.au](mailto:sales@bioseptic.com.au)

Web: [www.bioseptic.com.au](http://www.bioseptic.com.au)